

© International Baccalaureate Organization 2024

All rights reserved. No part of this product may be reproduced in any form or by any electronic or mechanical means, including information storage and retrieval systems, without the prior written permission from the IB. Additionally, the license tied with this product prohibits use of any selected files or extracts from this product. Use by third parties, including but not limited to publishers, private teachers, tutoring or study services, preparatory schools, vendors operating curriculum mapping services or teacher resource digital platforms and app developers, whether fee-covered or not, is prohibited and is a criminal offense.

More information on how to request written permission in the form of a license can be obtained from <https://ibo.org/become-an-ib-school/ib-publishing/licensing/applying-for-a-license/>.

© Organisation du Baccalauréat International 2024

Tous droits réservés. Aucune partie de ce produit ne peut être reproduite sous quelque forme ni par quelque moyen que ce soit, électronique ou mécanique, y compris des systèmes de stockage et de récupération d'informations, sans l'autorisation écrite préalable de l'IB. De plus, la licence associée à ce produit interdit toute utilisation de tout fichier ou extrait sélectionné dans ce produit. L'utilisation par des tiers, y compris, sans toutefois s'y limiter, des éditeurs, des professeurs particuliers, des services de tutorat ou d'aide aux études, des établissements de préparation à l'enseignement supérieur, des fournisseurs de services de planification des programmes d'études, des gestionnaires de plateformes pédagogiques en ligne, et des développeurs d'applications, moyennant paiement ou non, est interdite et constitue une infraction pénale.

Pour plus d'informations sur la procédure à suivre pour obtenir une autorisation écrite sous la forme d'une licence, rendez-vous à l'adresse <https://ibo.org/become-an-ib-school/ib-publishing/licensing/applying-for-a-license/>.

© Organización del Bachillerato Internacional, 2024

Todos los derechos reservados. No se podrá reproducir ninguna parte de este producto de ninguna forma ni por ningún medio electrónico o mecánico, incluidos los sistemas de almacenamiento y recuperación de información, sin la previa autorización por escrito del IB. Además, la licencia vinculada a este producto prohíbe el uso de todo archivo o fragmento seleccionado de este producto. El uso por parte de terceros —lo que incluye, a título enunciativo, editoriales, profesores particulares, servicios de apoyo académico o ayuda para el estudio, colegios preparatorios, desarrolladores de aplicaciones y entidades que presten servicios de planificación curricular u ofrezcan recursos para docentes mediante plataformas digitales—, ya sea incluido en tasas o no, está prohibido y constituye un delito.

En este enlace encontrará más información sobre cómo solicitar una autorización por escrito en forma de licencia: <https://ibo.org/become-an-ib-school/ib-publishing/licensing/applying-for-a-license/>.

**Physics**  
**Standard level**  
**Paper 3**

25 April 2024

**Zone A** afternoon | **Zone B** afternoon | **Zone C** afternoon

Candidate session number

1 hour

--	--	--	--	--	--	--	--	--	--

**Instructions to candidates**

- Write your session number in the boxes above.
- Do not open this examination paper until instructed to do so.
- Answers must be written within the answer boxes provided.
- A calculator is required for this paper.
- A clean copy of the **physics data booklet** is required for this paper.
- The maximum mark for this examination paper is **[35 marks]**.

Section A	Questions
Answer all questions.	1 – 2

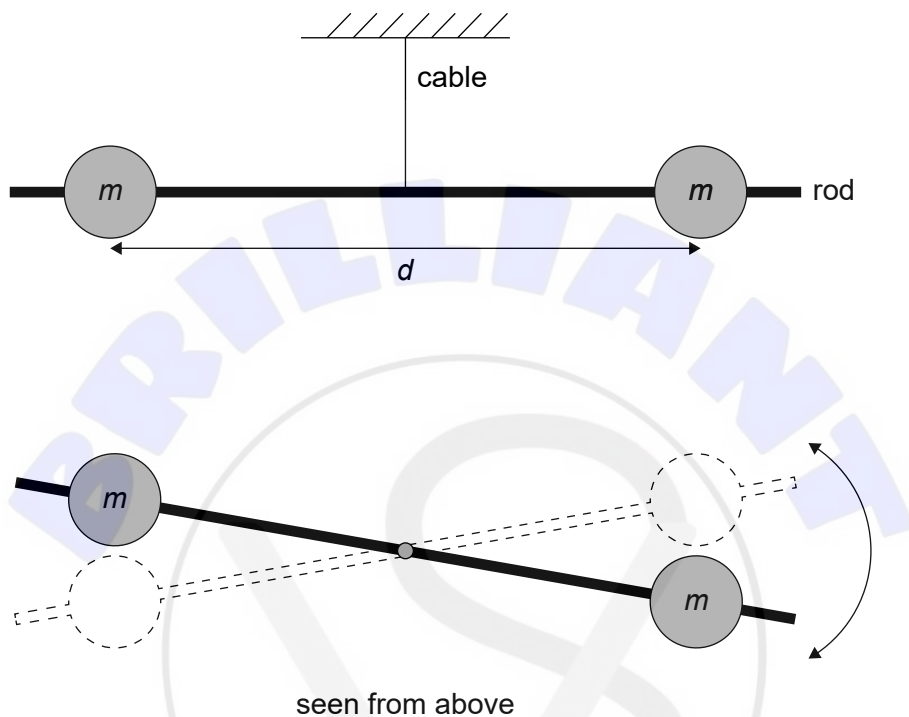
Section B	Questions
Answer all of the questions from one of the options.	
Option A — Relativity	3 – 5
Option B — Engineering physics	6 – 7
Option C — Imaging	8 – 10
Option D — Astrophysics	11 – 14



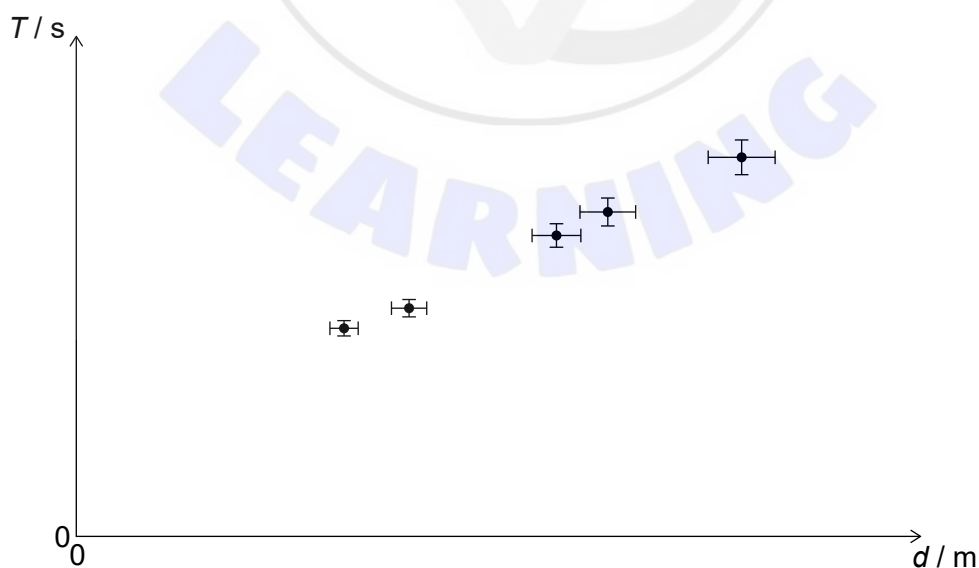
### Section A

Answer **all** questions. Answers must be written within the answer boxes provided.

1. A student performs an experiment with a rod that is free to oscillate in a horizontal plane. Two identical small spheres, each of mass  $m$ , are placed at equal distances from the centre of the rod. The student records values of the period of oscillation of the rod  $T$  in seconds for different values of the distance of separation of the spheres  $d$ , in metres.



The student plots the variation with  $d$  of  $T$ , keeping  $m$  constant.



(This question continues on the following page)



**(Question 1 continued)**

- (a) (i) Explain why  $m$  was kept constant. [1]

.....  
.....

- (ii) The student proposes the hypothesis that  $T$  is directly proportional to  $d$ .  
Outline whether the graph supports this model. [1]

.....  
.....

- (iii) State **one** other feature of the experiment that the student should keep constant. [1]

.....  
.....

- (b) The student proposes a new hypothesis such that

$$T^2 = Amd^2 + B$$

where  $A$  and  $B$  are constants.

After analysing the data for spheres of individual mass 40.0 g, the student proposes that

$$T^2 = 3.4d^2 + 1.5.$$

- Calculate  $A$ . State your answer with its fundamental SI unit. [2]

.....  
.....  
.....  
.....

**(This question continues on page 5)**





Please **do not** write on this page.

Answers written on this page  
will not be marked.

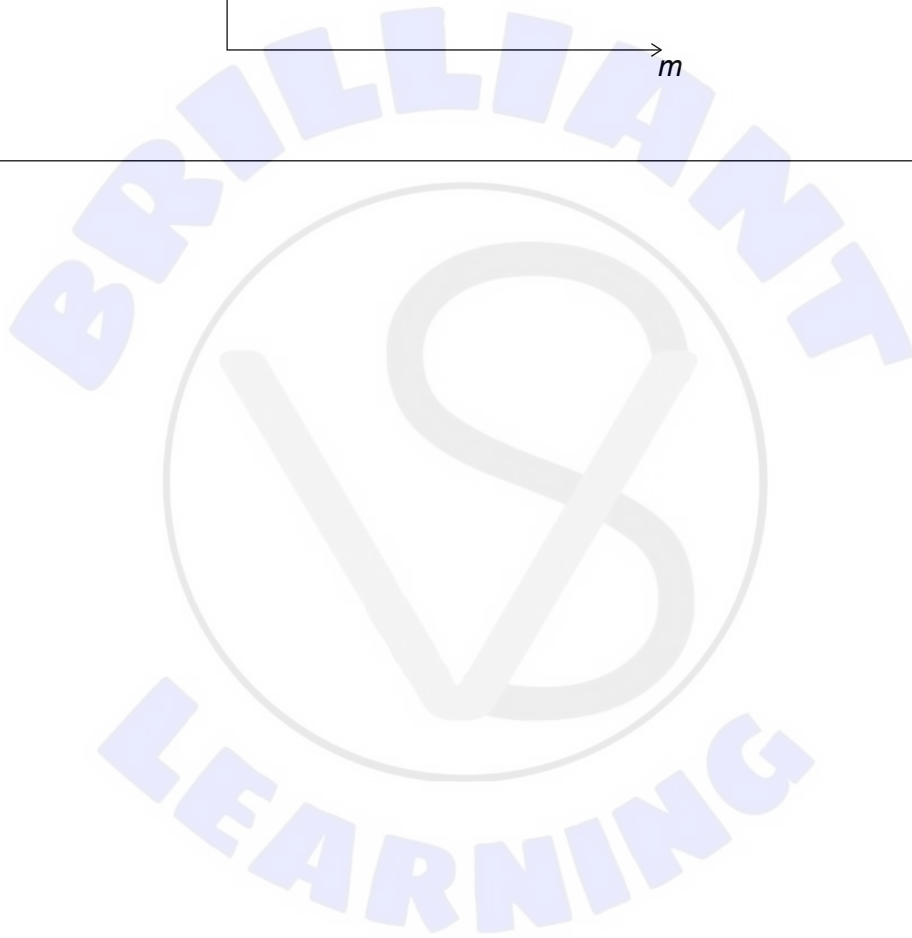
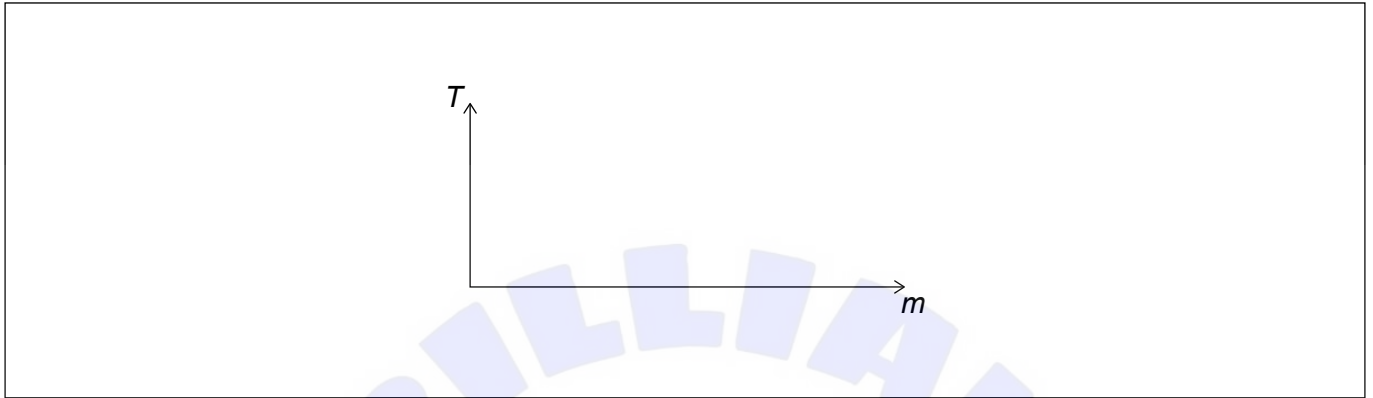


**(Question 1 continued)**

- (c) The student goes on to investigate the relationship proposed in (b) between  $T$  and  $m$ , keeping  $d$  constant.

Sketch the graph expected for this experiment on the axes provided.

[2]



2. In a series of trials to determine the specific latent heat of fusion of water  $L_{\text{water}}$ , crushed ice is added to an insulated container of negligible mass that contains water. The equilibrium temperature of the water is determined when all the ice has melted.

The following data are available:

Mass of water  $m_{\text{water}} = 0.095 \text{ kg}$

Mass of ice  $m_{\text{ice}} = 0.025 \text{ kg}$

Specific heat capacity of water  $c_{\text{water}} = 4200 \text{ J kg}^{-1} \text{ K}^{-1}$

Initial temperature of ice =  $0.0^\circ\text{C}$

Initial temperature of water =  $45.0^\circ\text{C}$

Average final equilibrium temperature of water =  $20 \pm 1^\circ\text{C}$

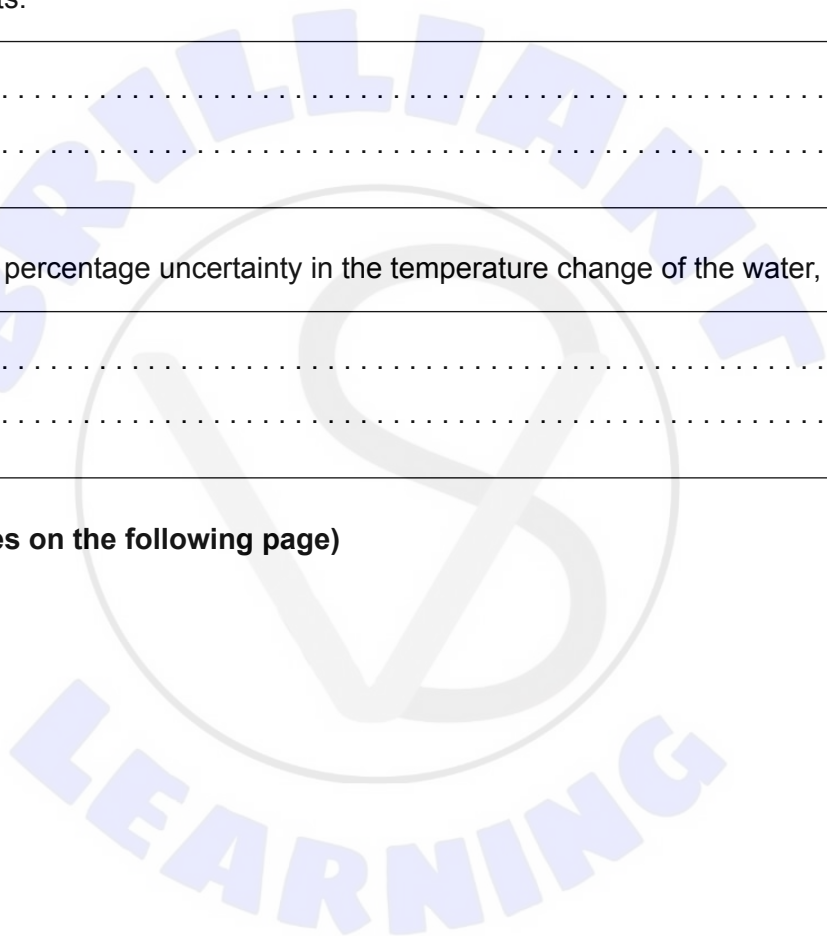
- (a) Suggest why some values of the experiment are stated without uncertainties in their measurements. [1]

.....  
.....

- (b) Calculate the percentage uncertainty in the temperature change of the water,  $\Delta T_{\text{water}}$  [1]

.....  
.....

(This question continues on the following page)



**(Question 2 continued)**

The thermal energy exchanged is represented by the equation:

$$m_{\text{water}} c_{\text{water}} \Delta T_{\text{water}} = m_{\text{ice}} (L_{\text{water}} + c_{\text{water}} \Delta T_{\text{ice}}).$$

- (c) Show that the value of  $L_{\text{water}}$  for this experiment is  $3.2 \times 10^5 \text{ J kg}^{-1}$ . [2]

.....

.....

.....

.....

- (d) The propagated percentage uncertainty in  $L_{\text{water}}$  is 6.4 %.
- Calculate its absolute uncertainty. State the value with an appropriate number of significant figures. [2]

.....

.....

.....

.....

- (e) Discuss the effect of ignoring the mass of the container on the final calculated value of  $L_{\text{water}}$ . [2]

.....

.....

.....

.....



### Section B

Answer **all** of the questions from **one** of the options. Answers must be written within the answer boxes provided.

#### Option A — Relativity

3. An electron is moving towards a laboratory on Earth, where there is an observer X and a magnetic field. The observer X and the magnetic field are at rest with respect to the laboratory. The path of the electron is deflected by the interaction with the magnetic field. A second observer Y moves at the same velocity as the electron.

(a) Explain why observer Y is at rest in the reference frame of the electron. [1]

.....  
.....

(b) Outline how observer Y accounts for the deflection of the electron. [2]

.....  
.....  
.....  
.....

The electron approaches observer X at a speed of  $1.80 \times 10^8 \text{ ms}^{-1}$ . A second electron is approaching observer X from the same direction at a speed of  $1.50 \times 10^8 \text{ ms}^{-1}$ .

(c) (i) Calculate, in terms of  $c$ , the approaching speed of the second electron as measured by observer Y. [2]

.....  
.....  
.....  
.....

(ii) State **one** example of the paradigm shift resulting from the Lorentz transformations. [1]

.....  
.....

(Option A continues on the following page)



**(Option A continued)**

4. A spaceship travels from Earth to the orbit of Mars, at a constant velocity of  $0.4c$ . The distance travelled by the spaceship is  $2.0 \times 10^8$  km, as determined by an observer on Earth.

(a) Calculate, in km, the distance travelled as measured by an observer in the spaceship. [2]

.....  
.....  
.....  
.....

(b) While the spaceship is travelling, a radio signal is sent from Earth to the spaceship when it is at  $3.0 \times 10^6$  km, as measured from Earth.

(i) Show that, according to an Earth observer, the time taken for the signal to reach the spaceship is about 17 s. [2]

.....  
.....  
.....  
.....  
.....

(ii) Determine, according to an observer in the spaceship, the time taken for the signal to reach the spaceship. [2]

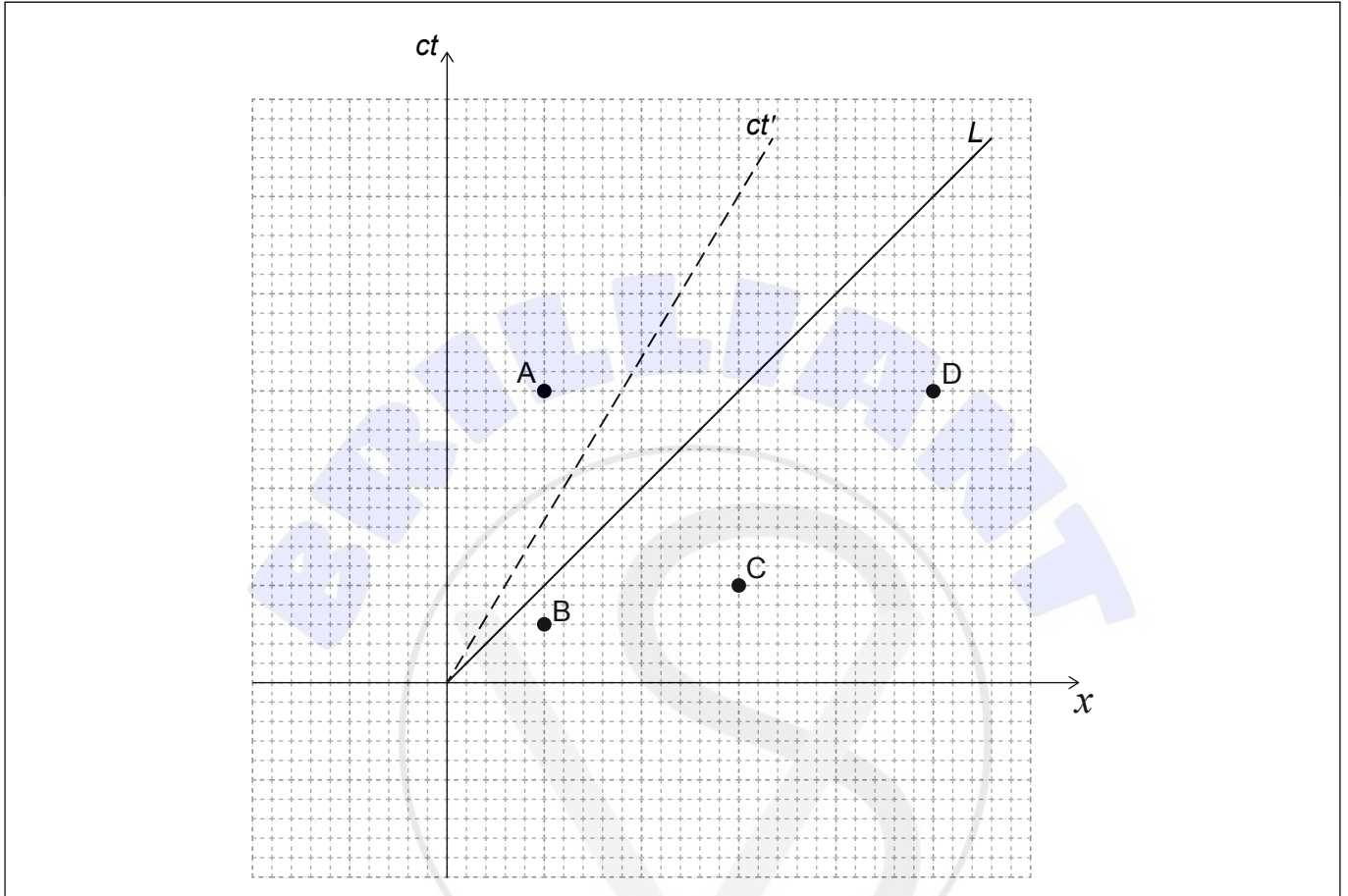
.....  
.....  
.....  
.....

**(Option A continues on the following page)**



(Option A continued)

5. Four events, A, B, C and D are plotted on the spacetime diagram. The  $ct - x$  axes are drawn in the reference frame of observer P. Observer Q is moving with respect to P. The  $ct'$  axis for observer Q and the path of a beam of light  $L$  are shown. The scale on both axes is the same.



- (a) (i) Determine the speed of observer Q with respect to observer P. [2]

.....

.....

.....

.....

- (ii) Draw and label the  $x'$  axis for observer Q. [1]

(Option A continues on the following page)



**(Option A, question 5 continued)**

- (b) List the events that occur simultaneously, according to observer P. [1]

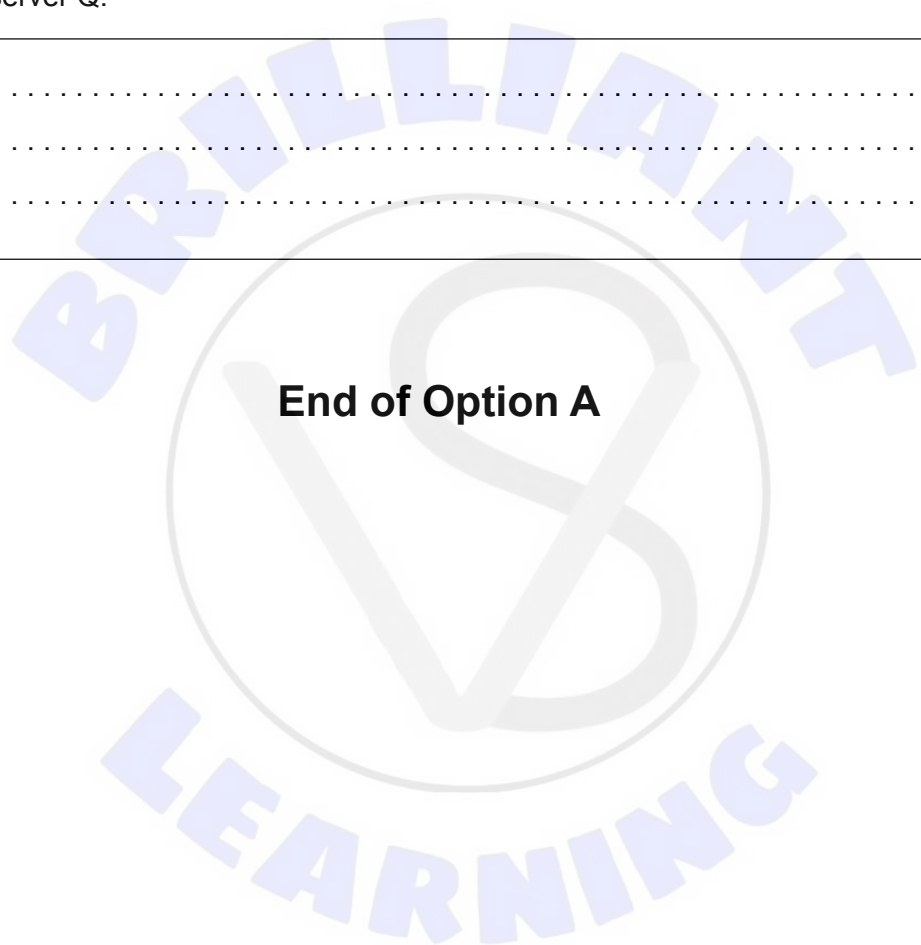
.....  
.....

- (c) Identify, by annotating the diagram, which event occurs first according to Q. [2]

- (d) Explain, using the diagram, why light from events A and D is received simultaneously by observer Q. [2]

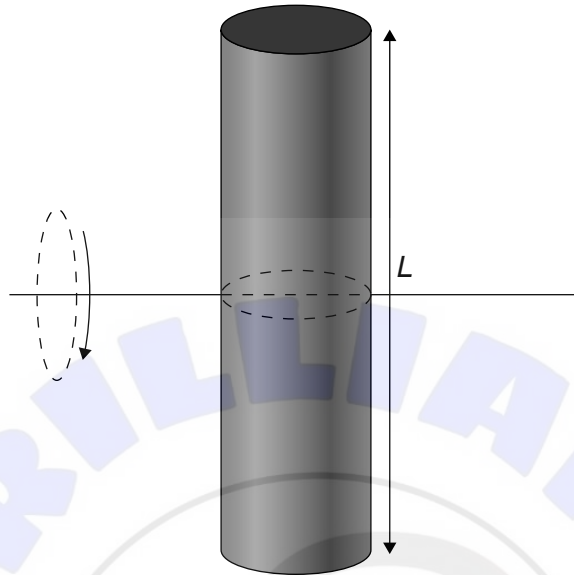
.....  
.....  
.....

**End of Option A**



**Option B — Engineering physics**

6. A uniform cylinder, of mass  $M$  and length  $L$ , has a moment of inertia of  $\frac{1}{12}ML^2$  when rotated about an axis through its centre.



- (a) (i) Outline what is meant by moment of inertia. [1]

.....  
.....

- (ii) State the condition for rotational equilibrium. [1]

.....  
.....

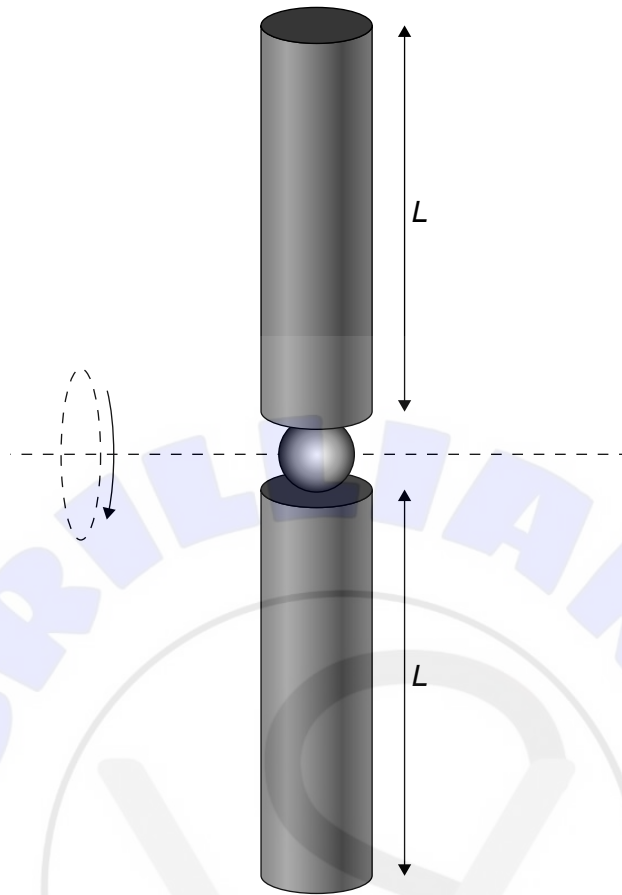
- (iii) Two identical cylinders, each of mass  $M$  and length  $L$ , are connected end to end. Show that the moment of inertia when these cylinders are rotated about their combined centre is  $\frac{2}{3}ML^2$ . [1]

.....  
.....

**(Option B continues on the following page)**



(Option B, question 6 continued)



(b) A two-blade propeller can be modelled using the two-cylinder arrangement in (a)(iii).

The following data for the two-blade propeller are available:

Length of each blade: 0.60 m

Mass of each blade: 2.2 kg

Show that the moment of inertia of the two-blade propeller is about  $0.5 \text{ kg m}^2$ .

[1]

.....

.....

(Option B continues on page 15)





Please **do not** write on this page.

Answers written on this page  
will not be marked.



**(Option B, question 6 continued)**

(c) The two-blade propeller is initially at rest. When a constant torque of 140 N m acts on the two-blade propeller it reaches an angular speed of  $750 \text{ rad s}^{-1}$ . Ignore any frictional torque.

(i) Calculate the time taken for the two-blade propeller to reach the angular speed of  $750 \text{ rad s}^{-1}$ . [2]

.....  
.....  
.....  
.....

(ii) Calculate the number of revolutions of the two-blade propeller to reach the angular speed of  $750 \text{ rad s}^{-1}$ . [2]

.....  
.....  
.....  
.....

(d) The propeller is brought to rest in 5.0 s. Determine the average value of the external torque applied. [2]

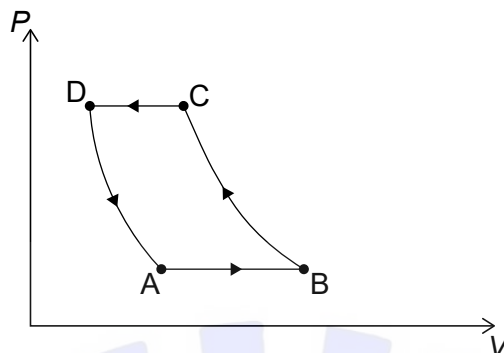
.....  
.....  
.....  
.....

**(Option B continues on the following page)**



**(Option B continued)**

7. A closed system contains 0.0070 mol of an ideal monatomic gas. The gas undergoes a cycle of four steps, represented below, consisting of two isobaric and two adiabatic processes.



Initially, at A, the gas is at a pressure of 120 kPa and a temperature of 200 K.

- (a) Show that the volume of the system at A is about  $1.0 \times 10^{-4} \text{ m}^3$ . [1]

.....

.....

- (b) The gas undergoes an isobaric process from A to B reaching a volume of  $1.3 \times 10^{-4} \text{ m}^3$ . Show that the temperature of the gas at B is about 270 K. [1]

.....

.....

- (c) The gas now undergoes an adiabatic compression from B to C. For this compression, the ratio of the pressures is

$$\frac{\text{Pressure at C}}{\text{Pressure at B}} = 5.0.$$

Determine the volume of the gas at C. [2]

.....

.....

.....

.....

**(Option B continues on the following page)**



**(Option B, question 7 continued)**

- (d) (i) Identify the nature of the thermal energy transferred,  $Q$ , the change in internal energy of the gas,  $\Delta U$ , and the work done,  $W$ , for each step of the cycle. Insert, in the table below, “+” to identify a positive value, “-” to identify a negative value or “0” when the quantity does not change. Three values are given. [4]

	Change in $Q$	Change in $U$	$W$
<b>A-B</b>			+
<b>B-C</b>	0		
<b>C-D</b>			
<b>D-A</b>		-	

- (ii) Deduce, without performing any calculation, that during the cycle ABCDA there is a net output of thermal energy. [1]

.....  
.....

- (e) Discuss, in terms of entropy changes, the impact of this cycle on the surroundings. [1]

.....  
.....

**End of Option B**



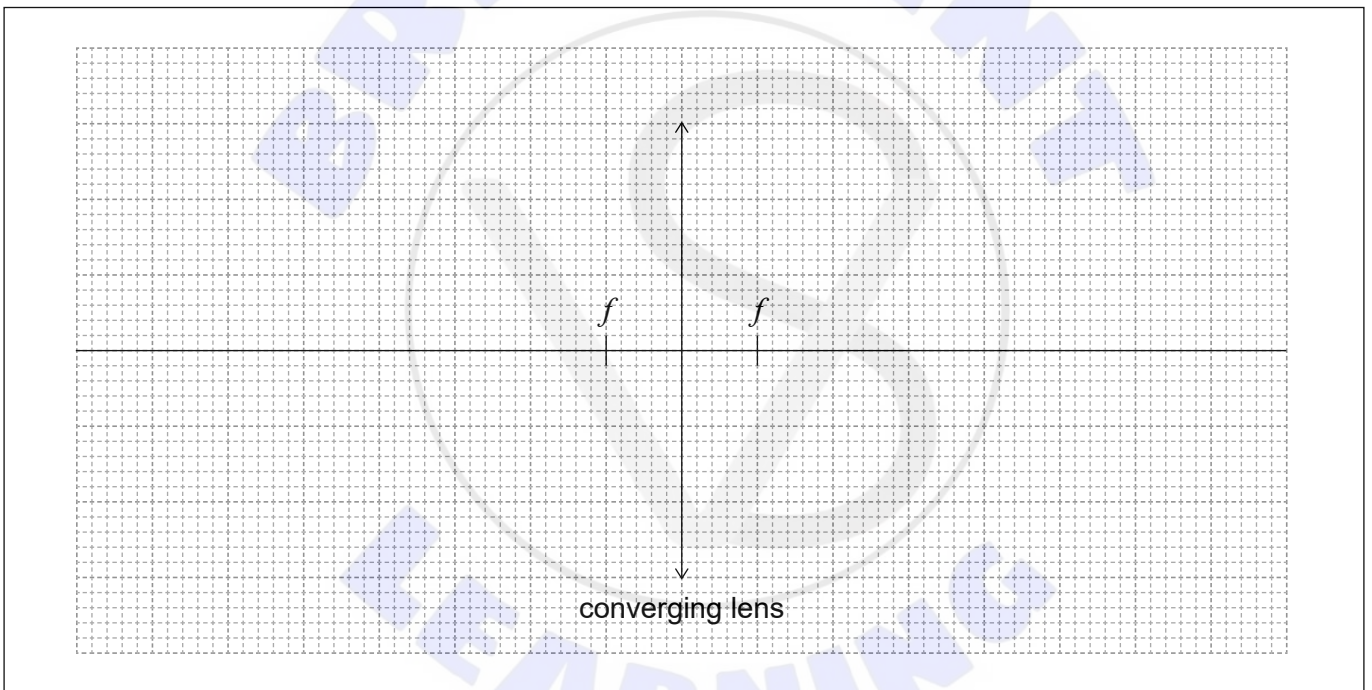
**Option C — Imaging**

8. In one arrangement an image that is half the height of a real object is produced by a lens of focal length  $f$ .

(a) (i) Deduce, by calculation and in terms of  $f$ , the position of the object when a **converging lens** is used. [2]

.....  
.....  
.....  
.....

(ii) Draw a ray diagram to show the arrangement described in (a)(i). [2]



(Option C continues on the following page)



**(Option C, question 8 continued)**

(b) A **diverging lens** of focal length 5.0 cm is now used to produce an image that is half the height of the object.

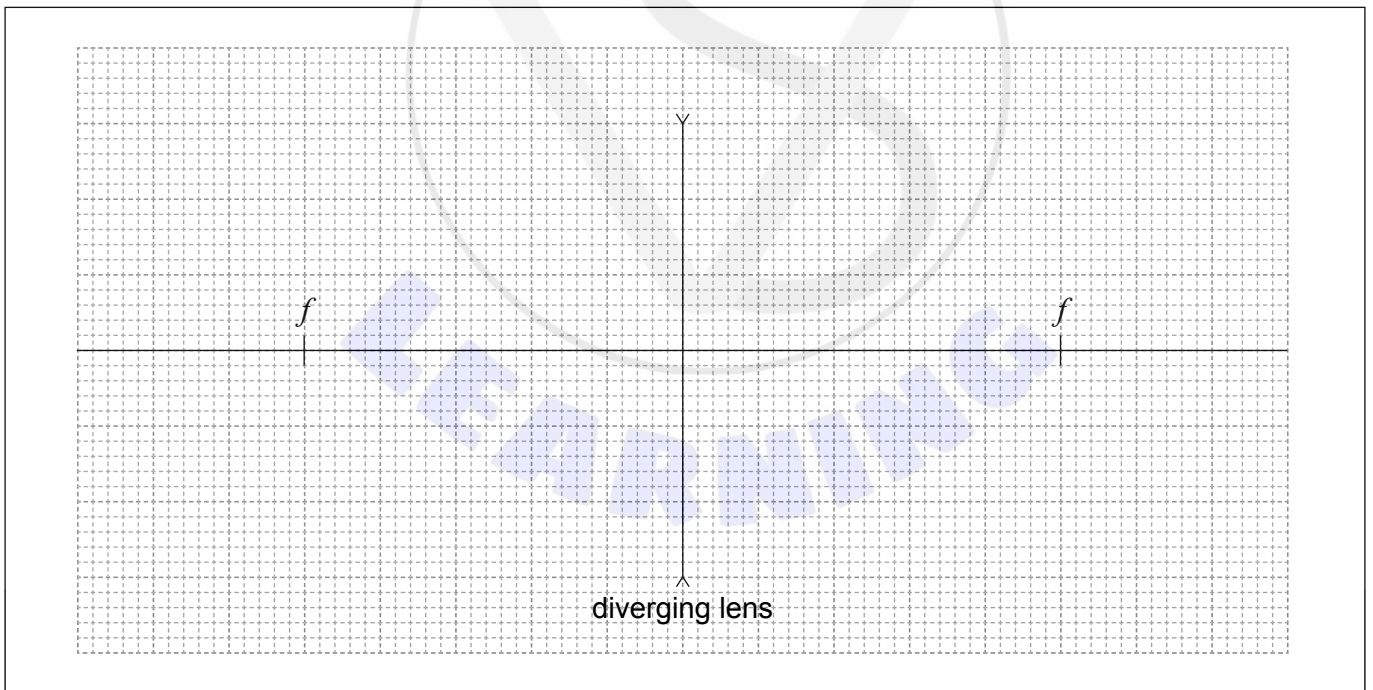
(i) State the nature of all images formed by a diverging lens. [1]

.....  
.....

(ii) Show that the position of the object is at the focus of the lens. [2]

.....  
.....  
.....  
.....

(iii) Construct a scaled ray diagram to show the situation described in (b)(ii). [2]

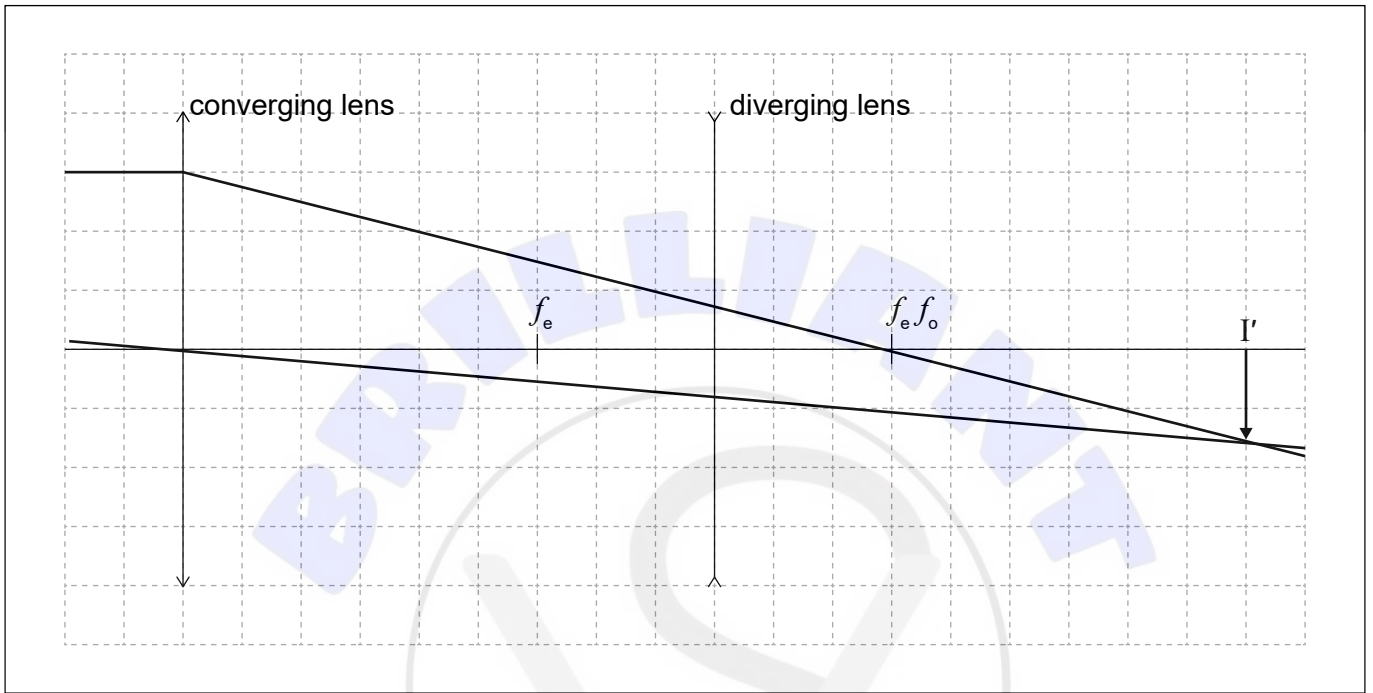


**(Option C continues on the following page)**



(Option C, question 8 continued)

- (c) A converging lens and a diverging lens are combined to form a virtual image of a distant object. The focal point of the converging lens and the focal point of the diverging lens coincide. The diagram shows two rays from the distant object and the formation of the intermediate image  $I'$  by the converging lens. Construct two other rays to show that the final image is upright (erect). [2]



(Option C continues on the following page)



**(Option C continued)**

9. (a) The focal length of the objective lens of a refracting telescope is 1.1 m. The telescope is used to observe the Moon. The image observed subtends an angle of 0.34 rad.

The following data are available:  
Distance to the Moon: 380 000 km  
Diameter of the Moon: 3500 km

Calculate, in mm, the focal length of the eye piece. [2]

.....  
.....  
.....  
.....

- (b) Large optical telescopes are usually reflecting telescopes.

- (i) State **one** example of how large reflecting telescopes have led to scientific discoveries. [1]

.....  
.....

- (ii) Outline why chromatic aberration is less significant in reflecting telescopes than in refracting telescopes. [1]

.....  
.....

- (iii) Distinguish between the paths of the light rays in Newtonian mounting and Cassegrain mounting telescopes. [1]

.....  
.....

**(Option C continues on page 23)**





Please **do not** write on this page.

Answers written on this page  
will not be marked.



**(Option C continued)**

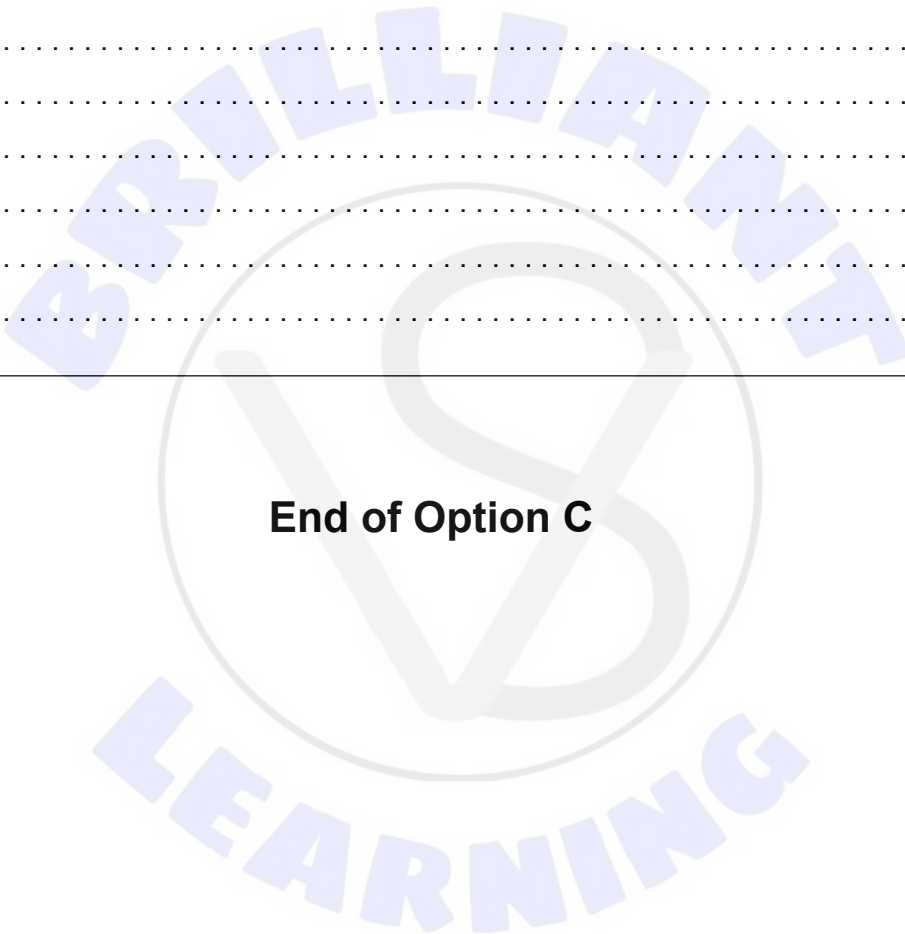
**10. (a)** Outline how dispersion affects the transmission of light in an optic fibre. [1]

.....  
.....

**(b)** The glass in a 10 km optic fibre has a refractive index that varies between 1.45298 to 1.45264. A pulse of duration 1.0 ns is transmitted through this optic fibre. Determine the minimum received pulse duration. [3]

.....  
.....  
.....  
.....  
.....  
.....

**End of Option C**



**Option D — Astrophysics**

11. Over 60 elements, apart from hydrogen, have been identified in the composition of the Sun.

(a) Explain how elements present in the Sun are identified. [2]

.....  
.....  
.....  
.....

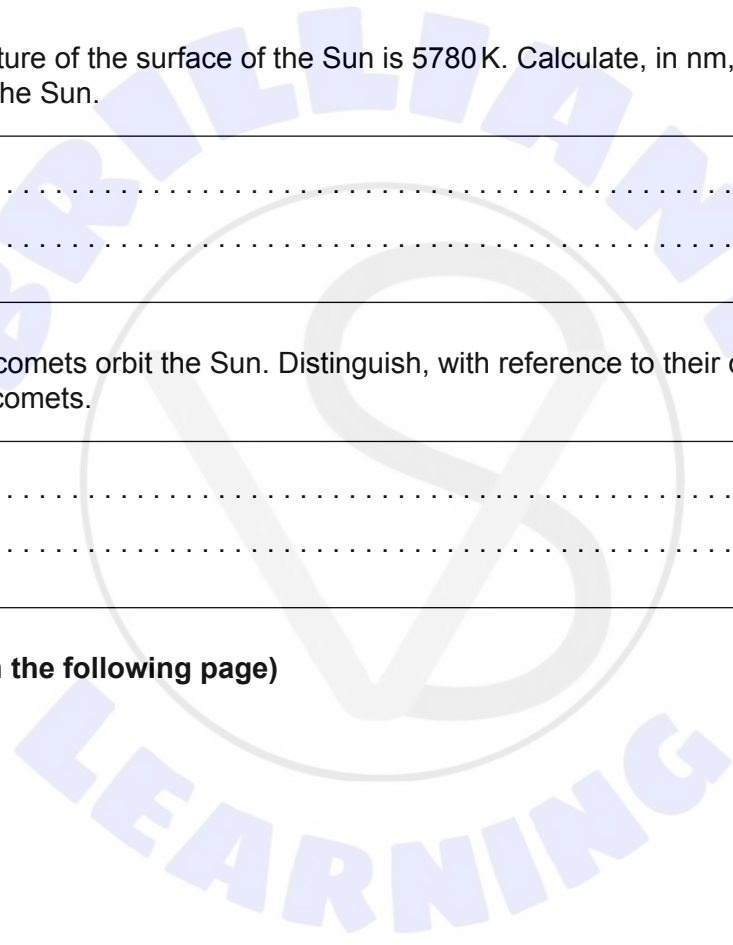
(b) The temperature of the surface of the Sun is 5780K. Calculate, in nm,  $\lambda_{\text{max}}$  for the spectrum of the Sun. [1]

.....  
.....

(c) Planets and comets orbit the Sun. Distinguish, with reference to their orbits, between planets and comets. [1]

.....  
.....

**(Option D continues on the following page)**



**(Option D continued)**

**12.** Alpha Centauri A and B form the closest binary star system to the Earth. This binary star system is the third brightest stellar object in the night sky.

- (a) Arcturus is the fourth brightest star in the night sky. Its apparent brightness is slightly greater than that of the star Alpha Centauri A.

Outline why the binary star system Alpha Centauri appears brighter than Arcturus. [1]

.....

.....

- (b) Alpha Centauri A is a main sequence star.

The following data are available:

Parallax angle of Alpha Centauri A = 0.76 arcsec

Luminosity of Alpha Centauri A =  $5.7 \times 10^{26}$  W

Luminosity of the Sun  $L_{\odot} = 3.8 \times 10^{26}$  W

- (i) Show that the distance from Alpha Centauri A to our solar system is about  $4 \times 10^{16}$  m. [2]

.....

.....

.....

.....

- (ii) Calculate the apparent brightness of Alpha Centauri A. [1]

.....

.....

- (iii) Show that the mass of Alpha Centauri A is  $1.1 M_{\odot}$ , where  $M_{\odot}$  is the mass of the Sun. [2]

.....

.....

.....

.....

**(Option D continues on the following page)**

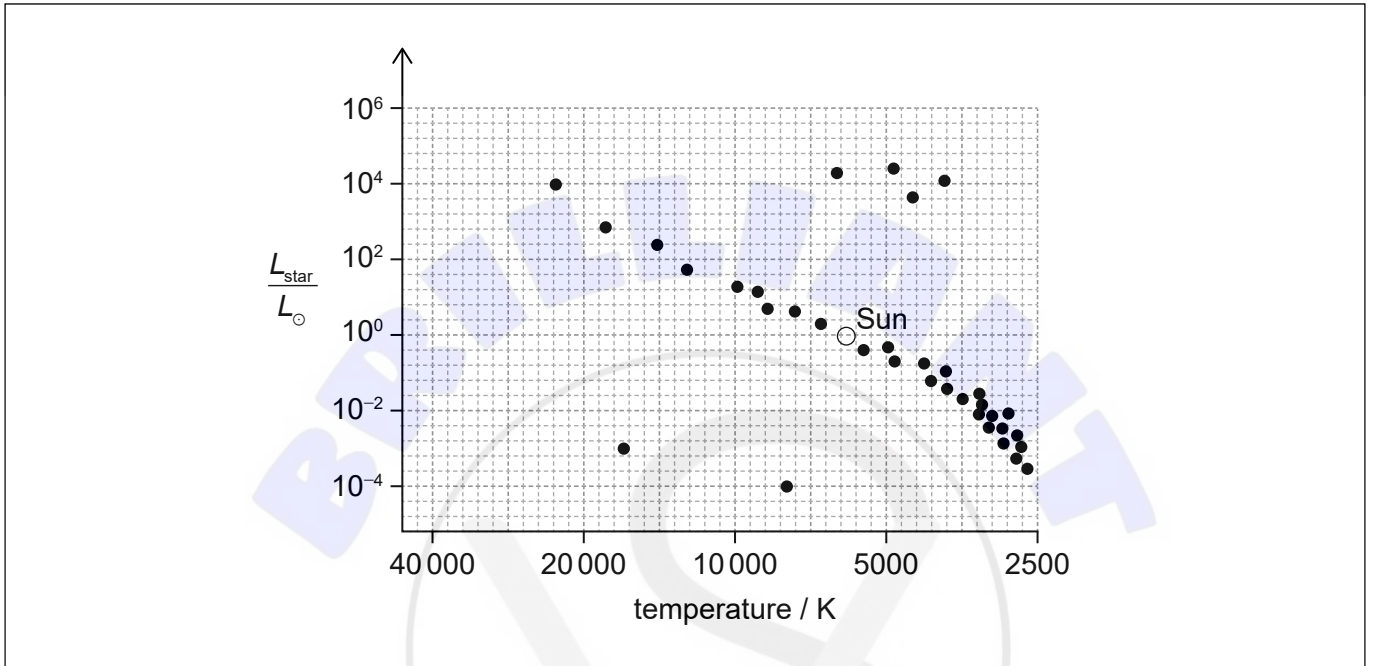


**(Option D, question 12 continued)**

(c) On the Hertzsprung-Russell (HR) diagram,

(i) plot, with an X, the position of Alpha Centauri A; [1]

(ii) draw the most likely future evolutionary path of Alpha Centauri A, labelling the two main regions of this path. [2]



(d) Explain how a cepheid variable star can be used for the measurement of very large astronomical distances. [2]

.....

.....

.....

.....

**(Option D continues on the following page)**



**(Option D continued)**

**13.** Cosmic microwave background (CMB) radiation was discovered more than 50 years ago.

(a) State **one** characteristic of CMB radiation. [1]

.....  
.....

(b) Outline the significance of CMB radiation in relation to the Big Bang model. [2]

.....  
.....  
.....  
.....

**14.** Quasars are bright celestial objects which show very large red-shifts.

Show that the light from a quasar with a red-shift of 7.5 was emitted when the universe was about 12% of its current size. [2]

.....  
.....  
.....  
.....

**End of Option D**





Please **do not** write on this page.

Answers written on this page  
will not be marked.

