

© International Baccalaureate Organization 2023

All rights reserved. No part of this product may be reproduced in any form or by any electronic or mechanical means, including information storage and retrieval systems, without the prior written permission from the IB. Additionally, the license tied with this product prohibits use of any selected files or extracts from this product. Use by third parties, including but not limited to publishers, private teachers, tutoring or study services, preparatory schools, vendors operating curriculum mapping services or teacher resource digital platforms and app developers, whether fee-covered or not, is prohibited and is a criminal offense.

More information on how to request written permission in the form of a license can be obtained from <https://ibo.org/become-an-ib-school/ib-publishing/licensing/applying-for-a-license/>.

© Organisation du Baccalauréat International 2023

Tous droits réservés. Aucune partie de ce produit ne peut être reproduite sous quelque forme ni par quelque moyen que ce soit, électronique ou mécanique, y compris des systèmes de stockage et de récupération d'informations, sans l'autorisation écrite préalable de l'IB. De plus, la licence associée à ce produit interdit toute utilisation de tout fichier ou extrait sélectionné dans ce produit. L'utilisation par des tiers, y compris, sans toutefois s'y limiter, des éditeurs, des professeurs particuliers, des services de tutorat ou d'aide aux études, des établissements de préparation à l'enseignement supérieur, des fournisseurs de services de planification des programmes d'études, des gestionnaires de plateformes pédagogiques en ligne, et des développeurs d'applications, moyennant paiement ou non, est interdite et constitue une infraction pénale.

Pour plus d'informations sur la procédure à suivre pour obtenir une autorisation écrite sous la forme d'une licence, rendez-vous à l'adresse <https://ibo.org/become-an-ib-school/ib-publishing/licensing/applying-for-a-license/>.

© Organización del Bachillerato Internacional, 2023

Todos los derechos reservados. No se podrá reproducir ninguna parte de este producto de ninguna forma ni por ningún medio electrónico o mecánico, incluidos los sistemas de almacenamiento y recuperación de información, sin la previa autorización por escrito del IB. Además, la licencia vinculada a este producto prohíbe el uso de todo archivo o fragmento seleccionado de este producto. El uso por parte de terceros —lo que incluye, a título enunciativo, editoriales, profesores particulares, servicios de apoyo académico o ayuda para el estudio, colegios preparatorios, desarrolladores de aplicaciones y entidades que presten servicios de planificación curricular u ofrezcan recursos para docentes mediante plataformas digitales—, ya sea incluido en tasas o no, está prohibido y constituye un delito.

En este enlace encontrará más información sobre cómo solicitar una autorización por escrito en forma de licencia: <https://ibo.org/become-an-ib-school/ib-publishing/licensing/applying-for-a-license/>.

Mathematics: analysis and approaches
Higher level
Paper 2

31 October 2023

Zone A afternoon | **Zone B** afternoon | **Zone C** afternoon

Candidate session number

2 hours

--	--	--	--	--	--	--	--	--	--

Instructions to candidates

- Write your session number in the boxes above.
- Do not open this examination paper until instructed to do so.
- A graphic display calculator is required for this paper.
- Section A: answer all questions. Answers must be written within the answer boxes provided.
- Section B: answer all questions in the answer booklet provided. Fill in your session number on the front of the answer booklet, and attach it to this examination paper and your cover sheet using the tag provided.
- Unless otherwise stated in the question, all numerical answers should be given exactly or correct to three significant figures.
- A clean copy of the **mathematics: analysis and approaches formula booklet** is required for this paper.
- The maximum mark for this examination paper is **[110 marks]**.





Please **do not** write on this page.

Answers written on this page
will not be marked.



Full marks are not necessarily awarded for a correct answer with no working. Answers must be supported by working and/or explanations. Solutions found from a graphic display calculator should be supported by suitable working. For example, if graphs are used to find a solution, you should sketch these as part of your answer. Where an answer is incorrect, some marks may be given for a correct method, provided this is shown by written working. You are therefore advised to show all working.

Section A

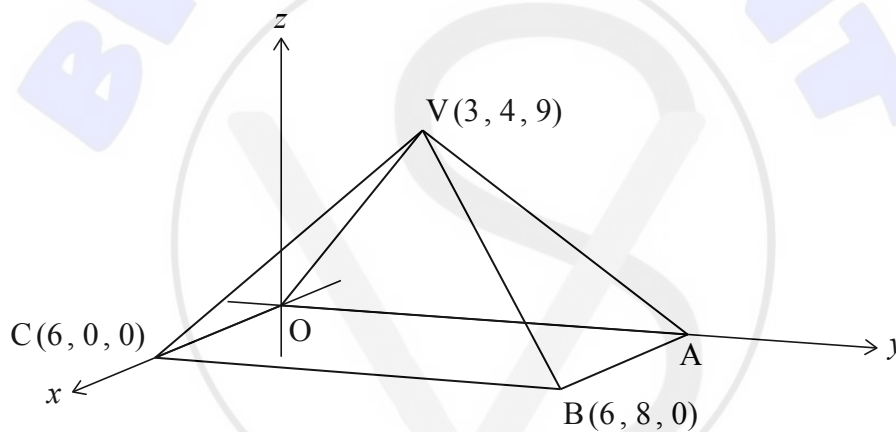
Answer **all** questions. Answers must be written within the answer boxes provided. Working may be continued below the lines, if necessary.

1. [Maximum mark: 6]

The following diagram shows a pyramid with vertex V and rectangular base $OABC$.

Point B has coordinates $(6, 8, 0)$, point C has coordinates $(6, 0, 0)$ and point V has coordinates $(3, 4, 9)$.

diagram not to scale



- (a) Find BV . [2]
- (b) Find the size of \widehat{BVC} . [4]

.....

.....

.....

.....

.....

.....

.....

.....

.....

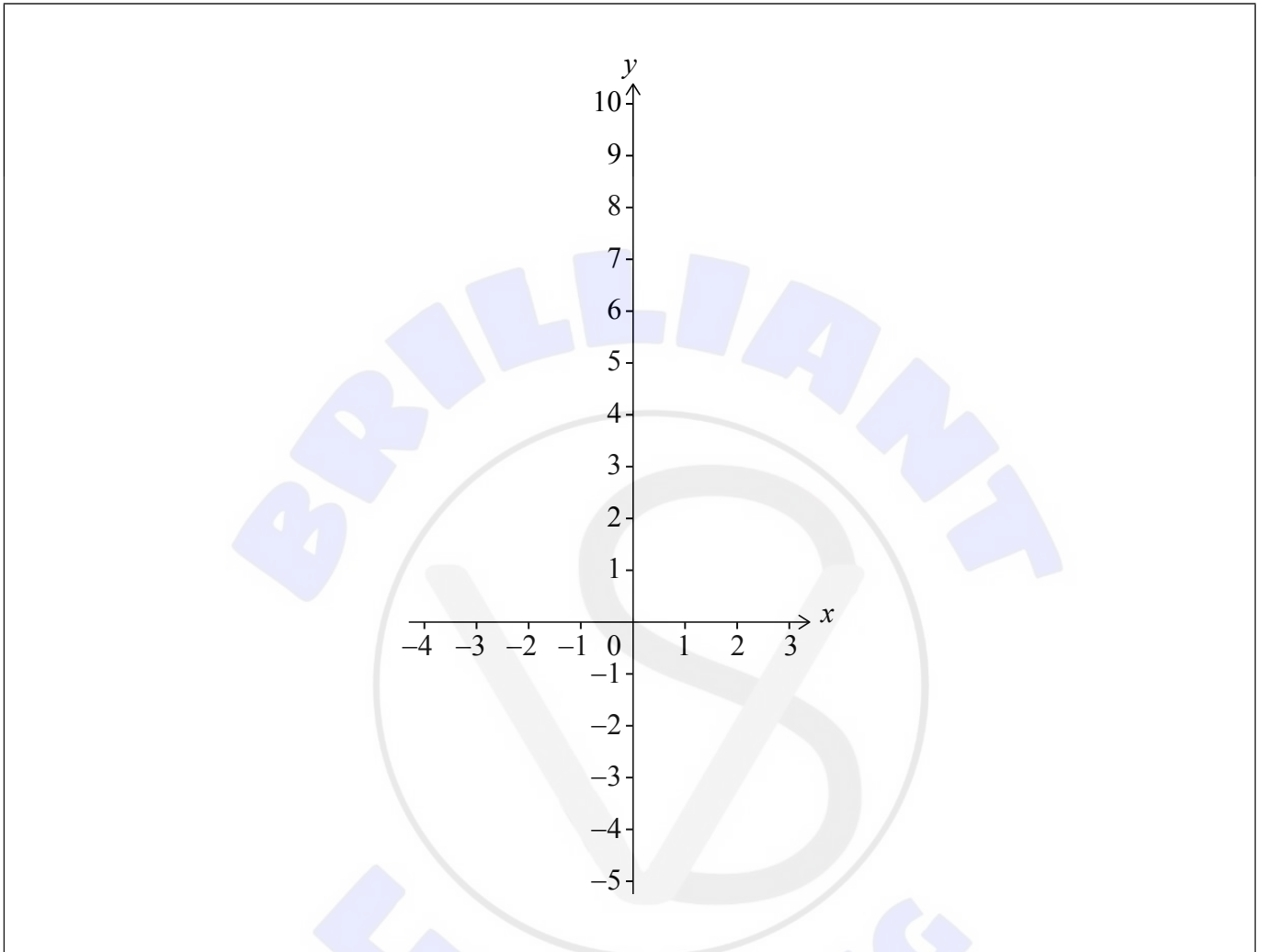


2. [Maximum mark: 5]

Consider the function $f(x) = e^x - 3x - 4$.

(a) On the following axes, sketch the graph of f for $-4 \leq x \leq 3$.

[3]



The function g is defined by $g(x) = e^{2x} - 6x - 7$.

(b) The graph of g is obtained from the graph of f by a horizontal stretch with scale factor k , followed by a vertical translation of c units.

Find the value of k and the value of c .

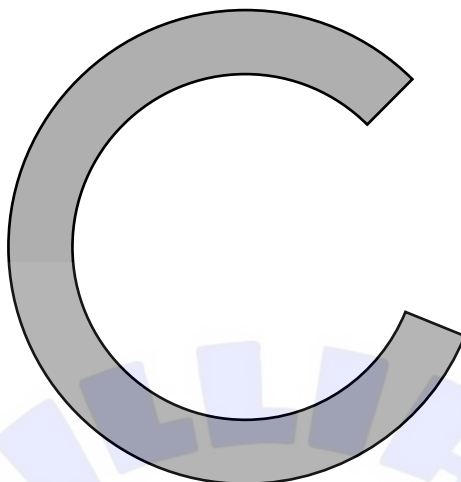
[2]

(This question continues on the following page)



3. [Maximum mark: 7]

A company is designing a new logo in the shape of a letter "C".



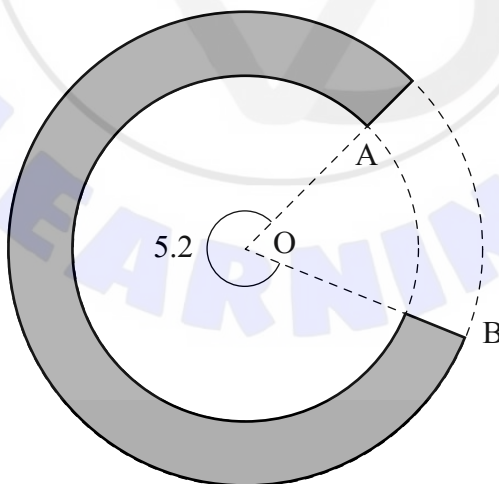
The letter "C" is formed between two circles with centre O .

The point A lies on the circumference of the inner circle with radius r cm, where $r < 10$.

The point B lies on the circumference of the outer circle with radius 10 cm.

The reflex angle \widehat{AOB} is 5.2 radians. The letter "C" is shown by the shaded area in the following diagram.

diagram not to scale



(This question continues on the following page)



Do **not** write solutions on this page.

Section B

Answer **all** questions in the answer booklet provided. Please start each question on a new page.

10. [Maximum mark: 16]

A farmer is growing a field of wheat plants. The height, H cm, of each plant can be modelled by a normal distribution with mean μ and standard deviation σ .

It is known that $P(H < 94.6) = 0.288$ and $P(H > 98.1) = 0.434$.

- (a) Find the probability that the height of a randomly selected plant is between 94.6 cm and 98.1 cm. [2]
- (b) Find the value of μ and the value of σ . [5]

The farmer measures 100 randomly selected plants. Any plant with a height greater than 98.1 cm is considered ready to harvest. Heights of plants are independent of each other.

- (c) (i) Find the probability that exactly 34 plants are ready to harvest.
- (ii) Given that fewer than 49 plants are ready to harvest, find the probability that exactly 34 plants are ready to harvest. [6]

In another field, the farmer is growing the same variety of wheat, but is using a different fertilizer. The heights of these plants, F cm, are normally distributed with mean 98.6 and standard deviation d . The farmer finds the interquartile range to be 4.82 cm.

- (d) Find the value of d . [3]



Do **not** write solutions on this page.

11. [Maximum mark: 19]

Consider the function defined by $f(x) = \frac{x^2 - 14x + 24}{2x + 6}$, where $x \in \mathbb{R}$, $x \neq -3$.

(a) State the equation of the vertical asymptote on the graph of f . [1]

(b) Find the coordinates of the points where the graph of f crosses the x -axis. [2]

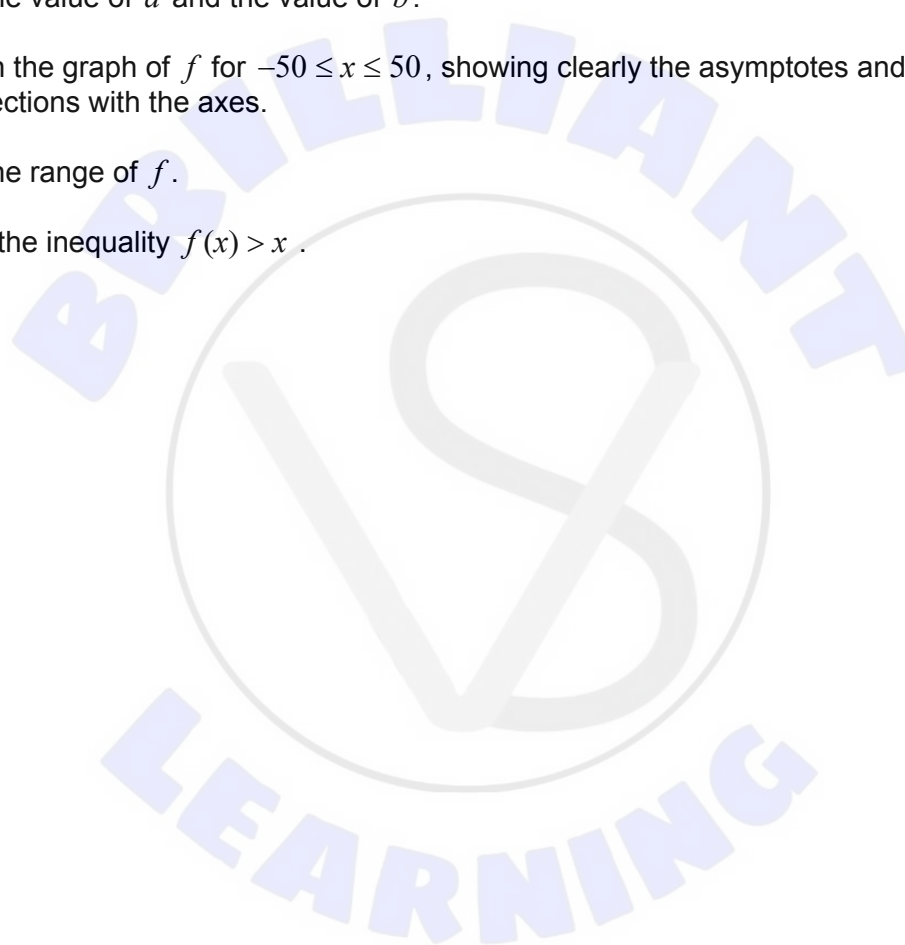
The graph of f also has an oblique asymptote of the form $y = ax + b$, where $a, b \in \mathbb{Q}$.

(c) Find the value of a and the value of b . [4]

(d) Sketch the graph of f for $-50 \leq x \leq 50$, showing clearly the asymptotes and any intersections with the axes. [4]

(e) Find the range of f . [4]

(f) Solve the inequality $f(x) > x$. [4]



Do **not** write solutions on this page.

12. [Maximum mark: 18]

Line L is given by the vector equation $\mathbf{r}_1 = \begin{pmatrix} 1 \\ 2 \\ -3 \end{pmatrix} + s \begin{pmatrix} 2 \\ 3 \\ 6 \end{pmatrix}$ where $s \in \mathbb{R}$.

Line M is given by the vector equation $\mathbf{r}_2 = \begin{pmatrix} 9 \\ 9 \\ 11 \end{pmatrix} + t \begin{pmatrix} 4 \\ 1 \\ 2 \end{pmatrix}$ where $t \in \mathbb{R}$.

(a) Show that lines L and M intersect at a point A and find the position vector of A . [5]

(b) Verify that the lines L and M both lie in the plane Π given by $\mathbf{r} \cdot \begin{pmatrix} 0 \\ 2 \\ -1 \end{pmatrix} = 7$. [3]

Point B has position vector $\begin{pmatrix} -3 \\ 12 \\ 2 \end{pmatrix}$. A line through B perpendicular to Π intersects Π at point C .

(c) (i) Find the position vector of C .

(ii) Hence, find $|\vec{BC}|$. [7]

(d) Find the reflection of the point B in the plane Π . [3]

